

ENGLISH

Specification of installation

In order to ensure safety use, please notice the following items:

Read and understand the whole Specification.

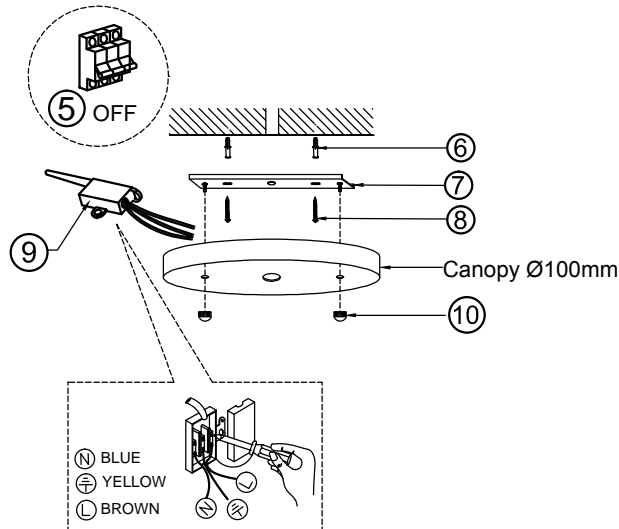
Suitable for the use of 220-240V and 50 ~ 60Hz.

Please wear gloves as installment and avoid rot on the surface of plating.

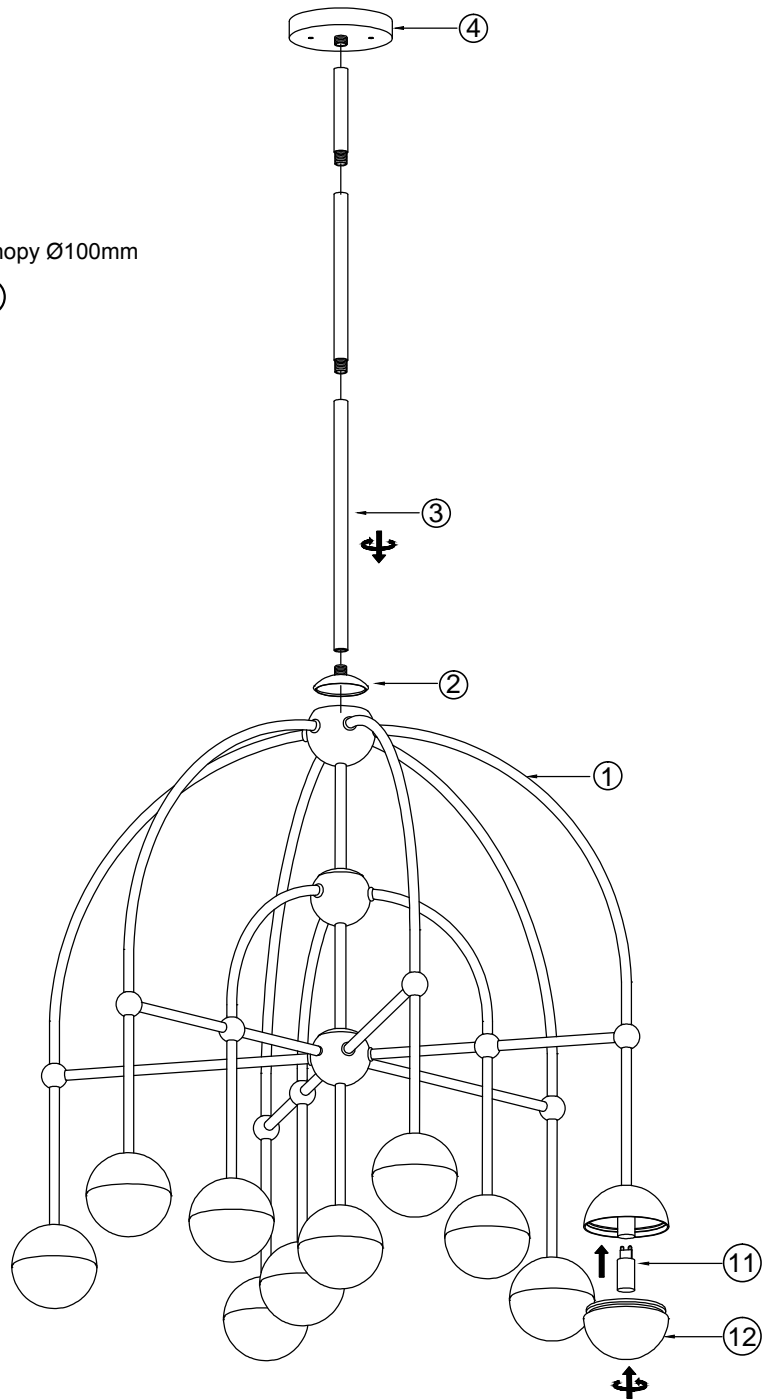
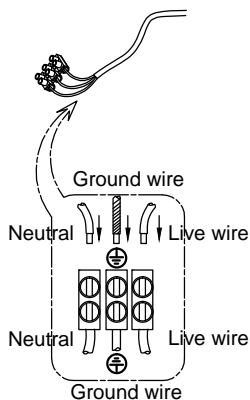
Must be installed on the fixed places and be checked annually.

Please turn off the lighting source by soft cloth as cleaning prohibited to use of rotted detergent.

Please connect with the local sales service center when there are any abnormality.

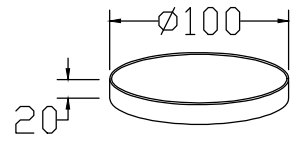


1. Fixed lamp arm by nut
2. Fixed cover
3. Connect pipe of suitable length
4. Fixed canopy
5. AC switch
6. Wall anchor
7. Hanging board
8. Self-tapping screw
9. Junction box
10. Fixed cover by ball
11. G9 Bulb (Not include)
12. Hemispherical glass



Product coding: TRUENA SP-PL6+3+1

CEILING PAN SIZE:



CEILING LAMP SIZE:

